

The technical content of this document is approved under the authority of DOA nr. UK.21J.0140 (C936)

8.72 EXTERNAL CYLINDER RESTRAINT

8.72.1 GENERAL INFORMATION

This supplement shall be inserted in the Flight Manual, in Section 8: 'Supplements' with the revisions record sheet amended accordingly.

Information contained herein supplements, or in the case of conflict supersedes that contained in the basic Flight Manual. For Limitations, Procedures, and Performance Data not contained in this supplement, consult the basic Hot Air Balloon Flight Manual.

Issue 2 of this supplement consists of 10 pages.

8.72.2 LIMITATIONS

No change.

8.72.3 EMERGENCY PROCEDURES

No change.

8.72.4 NORMAL PROCEDURES

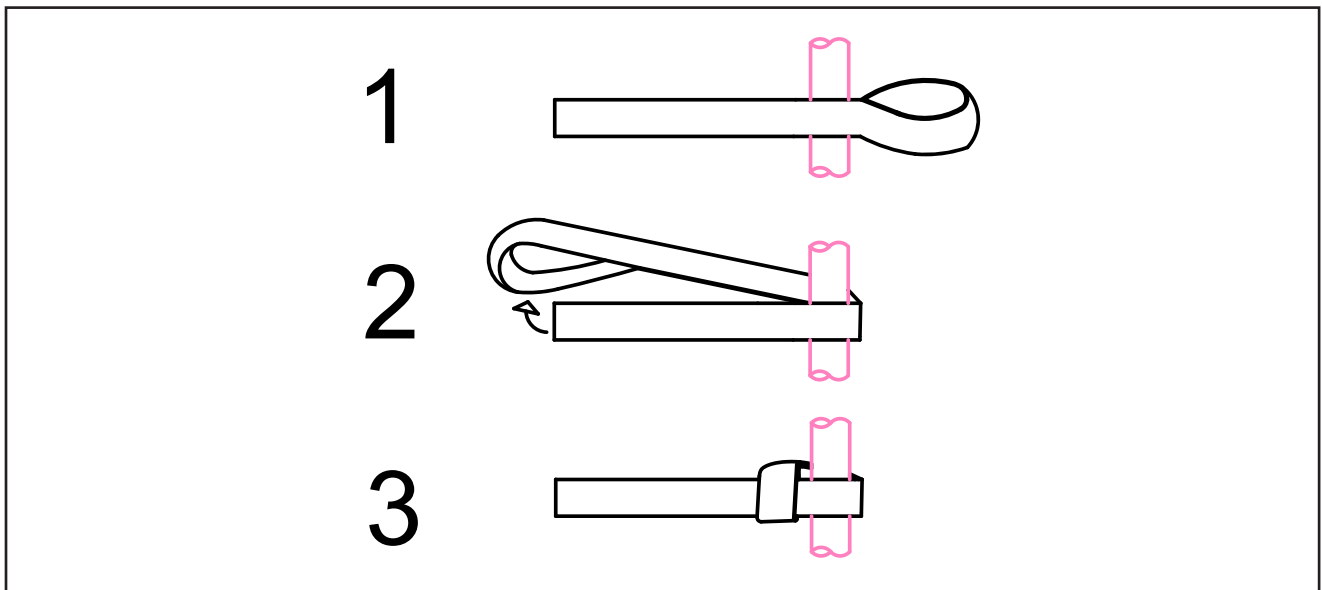
8.72.4.2.2 Basket Rigging

8.72.4.2.2.1 Assembly of External Cylinders

The arrangement of an external cylinder occurs before the inflation of the envelope. The External Cylinder Restraint assembly (CB3739) is used to attach a cylinder to the outside of a basket. The assembly includes two external cylinder strops (CB3739-1000) and two cylinder straps (CB3487).

Tie both cylinder strops (CB3739-1000) around the top of the cylinder using lark head knots, ensure they are tight. Attach the other end of the strops to the Flying Wire karabiners using additional 2.5T karabiners. Once the cylinder is hanging from the burner frame, attach both of the cylinder straps around the cylinder pulling them tight. Always use the maximum amount of available strap holes.

A basket may have open weave instead of a second cylinder strap hole. In this case an open weave straps must be used (CB3739-2000), replacing one of the cylinder straps. This is then strapped through the horizontal part of the weave with a lark's head knot.



▲ Lark's head knot



▲ Open weave strap arrangement

8.72.4.2.2.2 Assembly of External Cylinders for Sportlite Compact Series Baskets.

The installation of an external cylinder occurs before the inflation of the envelope. This section applies only to Sportlite Compact Series baskets (CB3759 and CB3764). To accept external cylinders baskets must have modification C936.

Firstly, fix the Frame Strap (CB3783-001X) to the floor anchor as displayed, ensuring that the screw gate is on the side shown. Fix the other end of the Strap to the corresponding D ring on the top frame, make sure that there are no twists in the Frame Strap and that the loops are facing towards the basket. Tighten the gate at both ends.



▲ Frame Strap attachment to Floor Anchor

Tie both cylinder strops (CB3739-1000) around the top of the cylinder using lark head knots, ensure they are tight. Attach the other end of the strops to the Flying Wire karabiners using additional 2.5T karabiners. Once the cylinder is hanging from the burner frame, fit the cylinder straps (CB3487). Cylinder straps must pass between the Frame Straps and the basket, via the loops. Do not only pass the cylinder straps through the loops.

WARNING: It is important that the frame straps are tight, otherwise the cylinder straps will not securely hold the cylinder.



▲ Correct rigging of upper cylinder strap

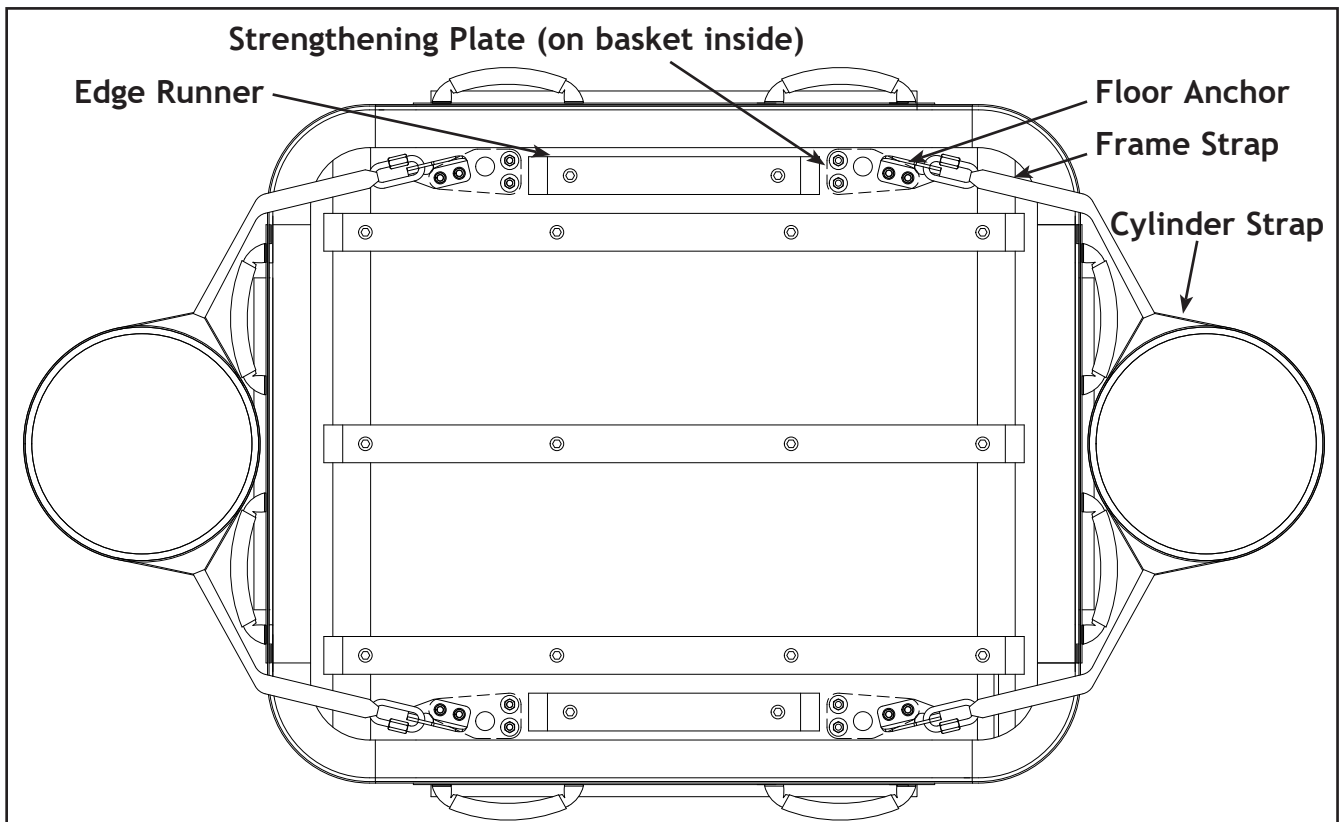


▲ Correct rigging of lower cylinder strap

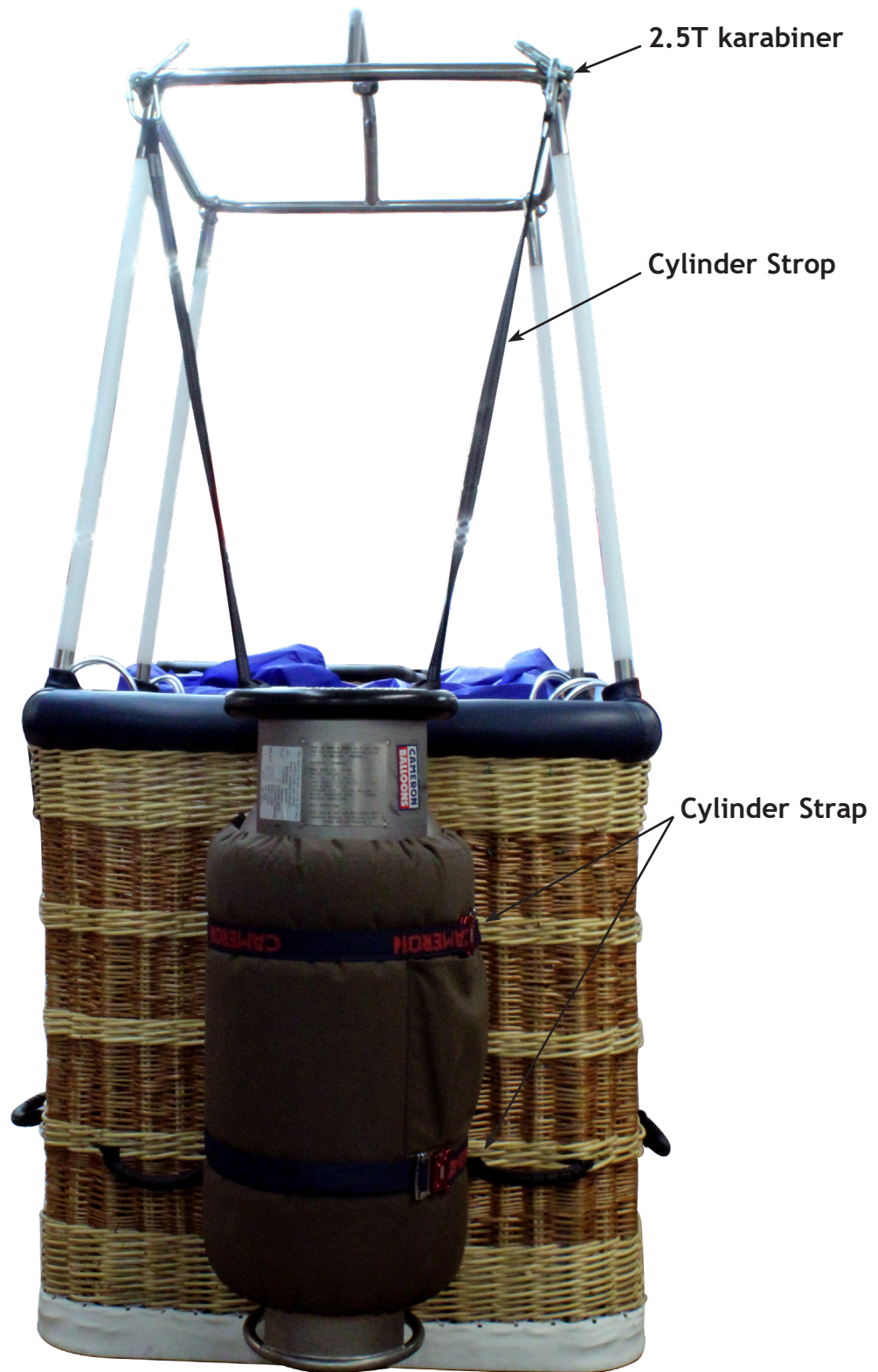
8.72.4.3 Inflation

Pre-Inflation Checklist (Additional)

- Cylinder Straps** Check the security of the straps.
- Cylinder Strops** Ensure the strops are tight and secure
- Cylinder Location** Check that the cylinder sits at least 30mm above the ground and is central to the basket.
- Floor Anchors**
(Sportlite Compact series only) Check condition of brackets and bolts on the outside of the basket. Ensure the anchor is tight to the floor.
- Frame Straps**
(Sportlite Compact series only) Check the condition of the straps and ensure the quick links are secured on both ends. Ensure the loops are facing towards the basket so that cylinder straps secure around the whole strap and not only the loop.



▲ Bottom view of Sportlite Compact external cylinder rigging



▲ External cylinder arrangement

8.72.5 WEIGHT CALCULATIONS

Additional 1.2kg (for standard baskets) and 4.0kg (for Sportlite Compact). If turning vents are fitted, do not land on the side of the basket with the external cylinder.

8.72.6 BALLOON AND SYSTEMS DESCRIPTION

No change.

8.72.7 BALLOON MAINTENANCE, HANDLING AND CARE

Karabiners, buckles, and webbing straps must be checked before flight to ensure there are no failures.

Check strap holes on the basket for any wear.

(Sportlite Compact Only) Check floor anchors are not loose or in an unsafe condition.

8.72.9 EQUIPMENT LIST

8.72.9.1.1 Assembly equipment

Solid wall equipment:

2 x Cylinder strop (CB3739-1000)

2 x Cylinder strap (CB3487)

2 x 2.5T Karabiner (CU9820-0003)

Top level open weave equipment:

2 x Cylinder strop (CB3739-1000)

1 x Cylinder strap (CB3487)

1 x Open Weave Cylinder strap (CB3739-2000)

2 x 2.5T Karabiner (CU9820-0003)

Compact 2 std. height equipment:

2 x Cylinder strop (CB3739-1000)

2 x Cylinder strap (CB3487)

2 x 2.5T Karabiner (CU9820-0003)

2 x Frame strap (CB3783-0011)

Compact 2 hi-spec equipment:

2 x Cylinder strop (CB3739-1000)

2 x Cylinder strap (CB3487)

2 x 2.5T Karabiner (CU9820-0003)

2 x Frame strap (CB3783-0012)

Compact 3 std. height equipment:

2 x Cylinder strop (CB3739-1000)

2 x Cylinder strap (CB3487)

2 x 2.5T Karabiner (CU9820-0003)

2 x Frame strap (CB3783-0013)

Compact 3 hi-spec equipment:

2 x Cylinder strop (CB3739-1000)

2 x Cylinder strap (CB3487)

2 x 2.5T Karabiner (CU9820-0003)

2 x Frame strap (CB3783-0014)

8.72.9.1.2 Basket compatibility

Table 6: Baskets available

Basket Cat	Drawing Number	Basket Description	Applicable cylinders
C	CB3144	56-65 O Flat	1, 2
C	CB301-2		
C	CB301-9		
C	CB814		
C	CB660		
C	CB3267	C-60 "Dante"	
C	CB3649	Sportlite 2	
C	CB3759	Sporlite 2 Compact	
D	CB3665	Sportlite 3	
D	CB3764	Sporlite 3 Compact	
D	CB3652	Sportlite 4	
D	CB3093	77-84 H O	
D	CB3497	77-84 H O	

Intentionally Blank Page