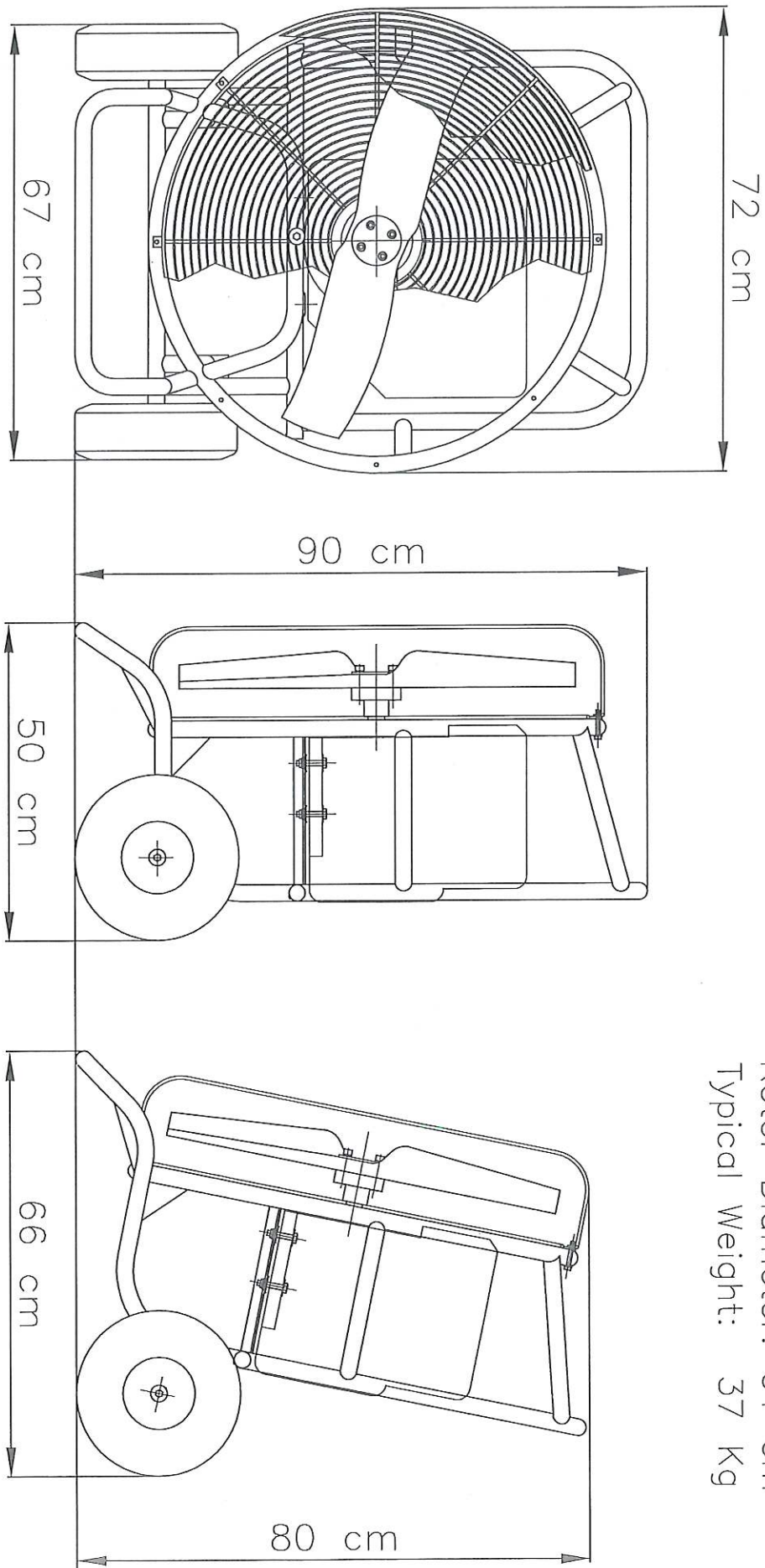




Rotor Diameter: 61 cm
 Typical Weight: 37 Kg



Sizes apply to CB6445 type 5hp Fan
 manufactured 2000 onwards

Sizes are with fully inflated/solid tyres
 and should not exceed the values shown

Dimensions in mm unless noted otherwise Linear ± N/A Angular ± N/A		Stressed N/A		PU 16.5.17 ISS A New diagram Δ Modification Record Δ
Approved N/A	Checked N/A	Scale:-- NTS	Drawn on CAD	
© 2017		5hp Inflation Fan Size Envelope		