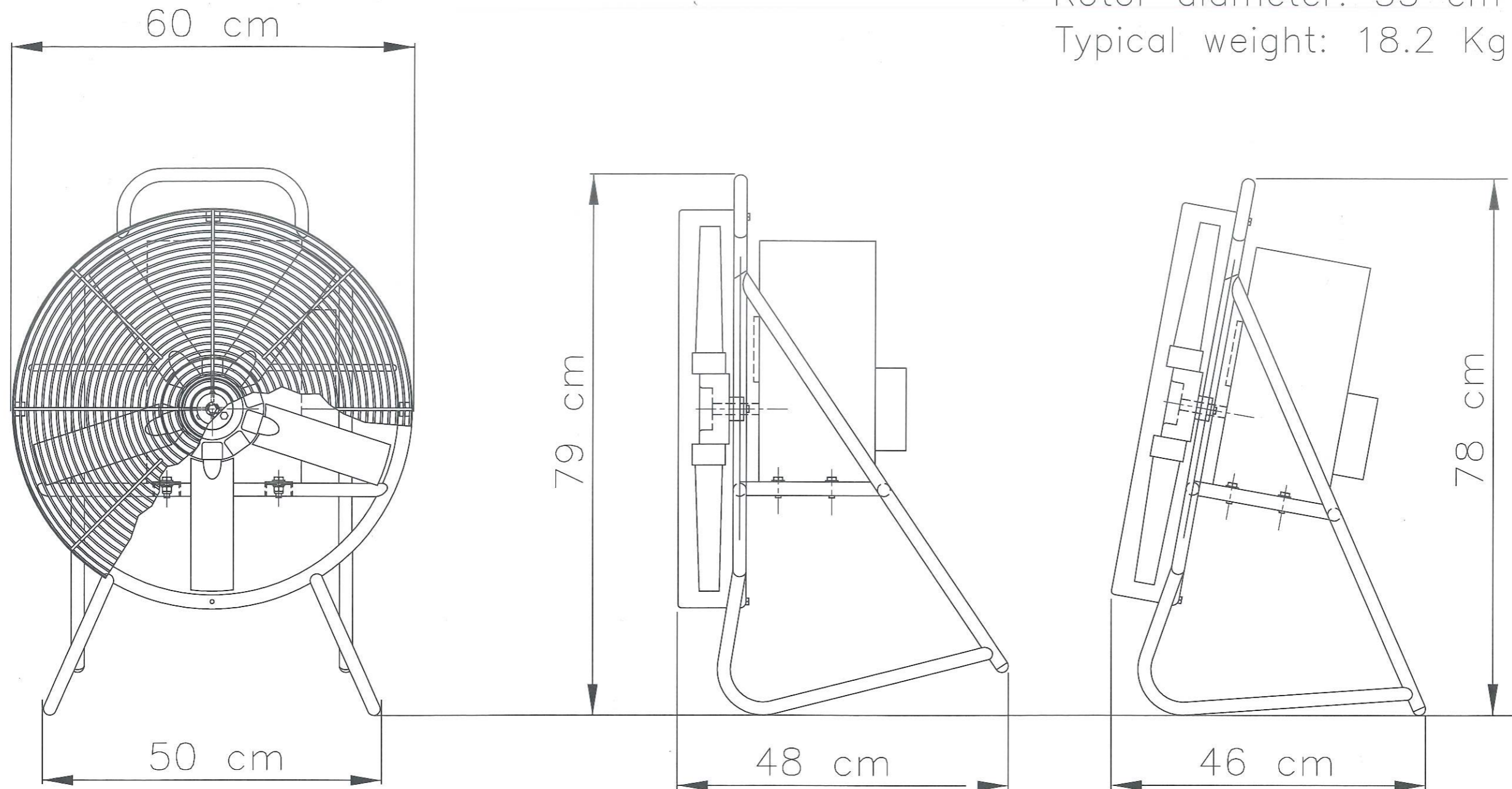


Do not scale, if in doubt ask



Cameron Balloons Ltd. Bristol - England

Rotor diameter: 53 cm
Typical weight: 18.2 Kg



Sizes apply to CB8970 type 2.8hp Fan
manufactured 2018 onwards

Sizes should not exceed the values shown

Dimensions in mm unless noted otherwise				PJ 27.3.18 ISS B New height	
Unspecified Tolerances				Stressed	△ Modification Record △
Linear ± N/A				N/A	
Angular ± N/A				Approved	Title 2.8hp Inflation Fan Size Envelope
© 2018				N/A	
Drawn on	Scale:-	Checked			
CAD	NTS	N/A			